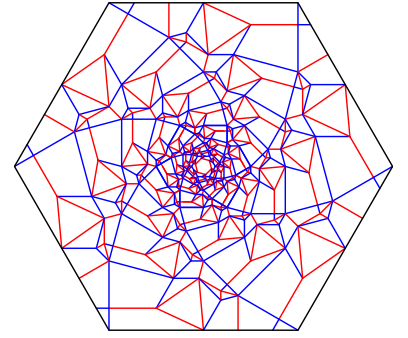


炬寰

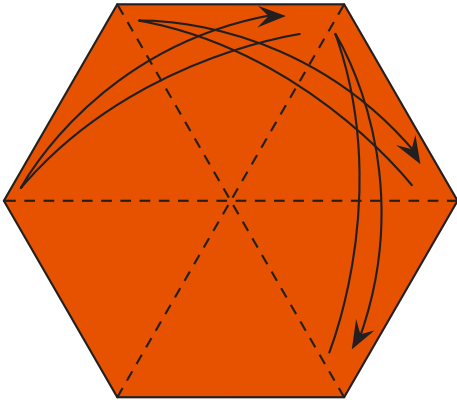
Fire Ring

设计 / Designer: 杜佳磊 (Du Jialei)
 图示 / Diagrams: 银铃 (Yin Ling)

推荐用纸 / Paper :
 - 35x35 cm

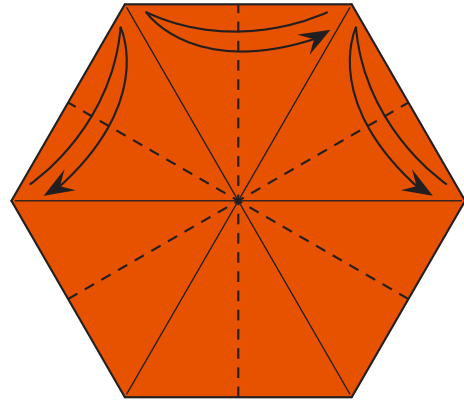


1



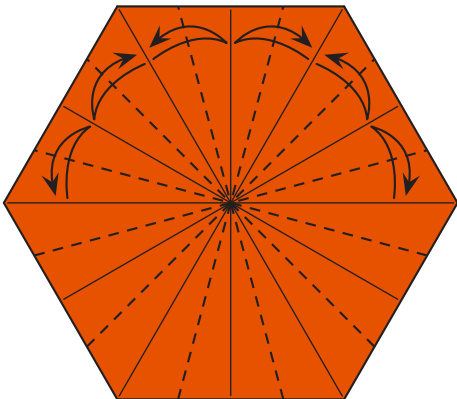
Fold then unfold.
 留下折痕

2



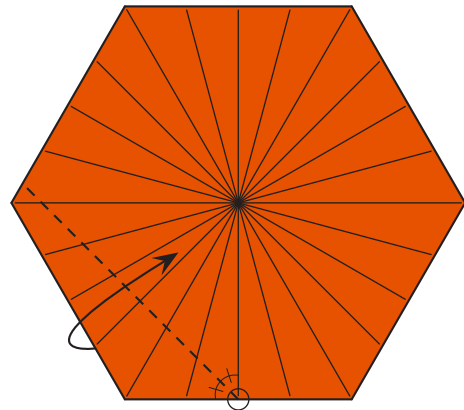
Fold then unfold.
 留下折痕

3



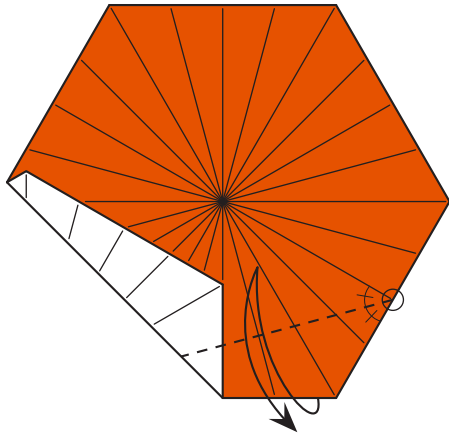
Fold along the angle bisectors and unfold.
 沿角平分线留下折痕

4



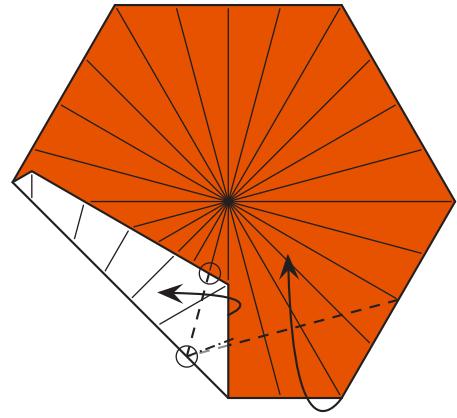
Valley-fold along the angle bisector.
 沿角平分线折叠

5



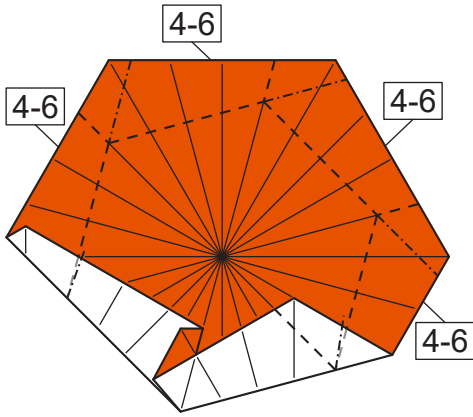
Fold along the angle bisector and unfold.
沿角平分线留下折痕

6



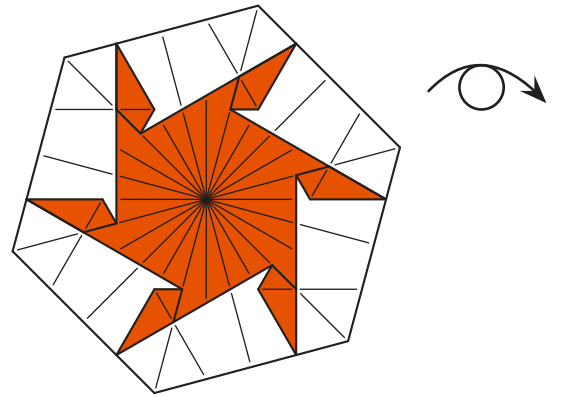
Swivel-fold.
旋转折

7



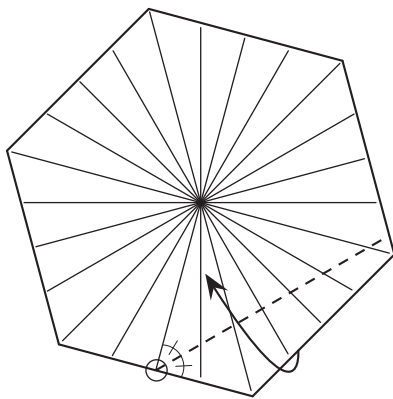
Repeat steps 4 to 6 on the other sides.
其它边重复步骤4-6

8



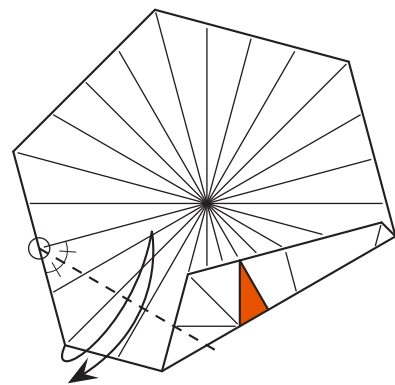
Turn over.
翻面

9



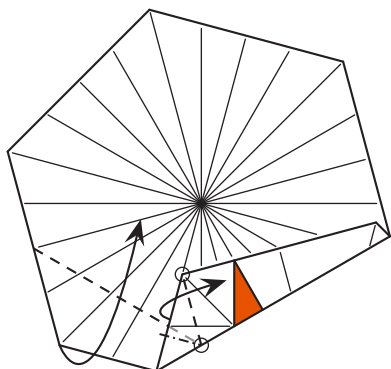
Valley-fold along the angle bisector.
沿角平分线折叠

10



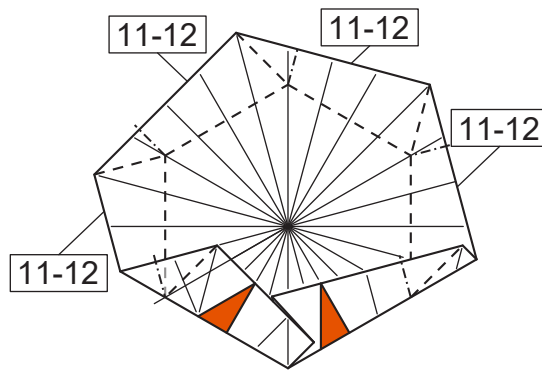
Fold along the angle bisector and unfold.
沿角平分线留下折痕

11



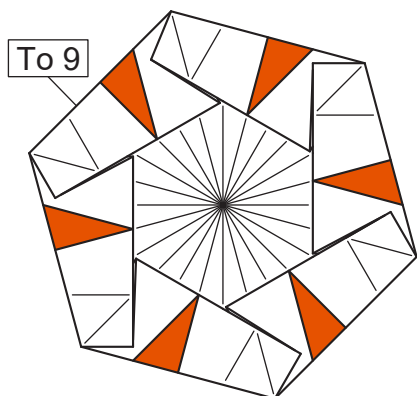
Swivel-fold.
旋转折

12



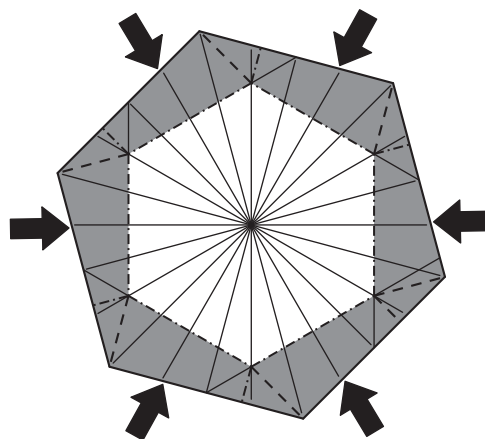
Repeat steps 11 to 12 on the other sides.
其它边重复步骤11-12

13



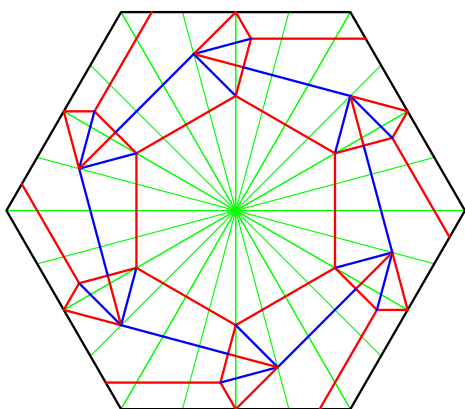
Unfold to step 9.
复原至步骤9

14



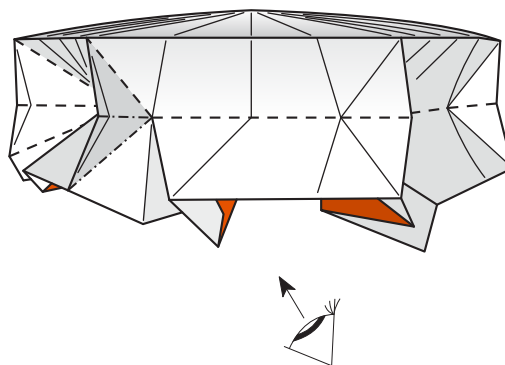
Complex sink.
复杂沉折

15



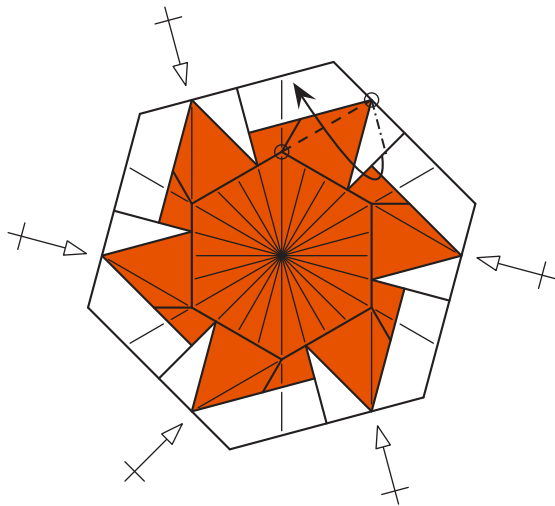
Collapse according to the creases.
按峰谷聚合

16



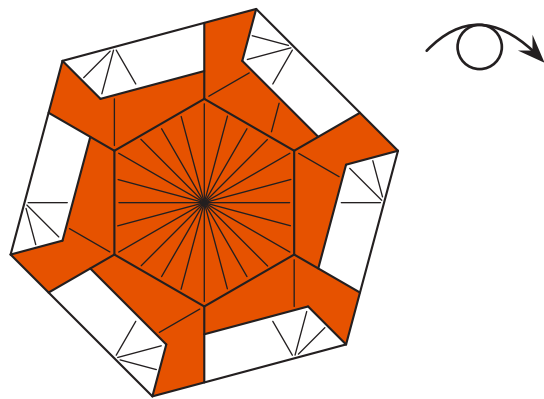
Change perspective.
视角转换

17



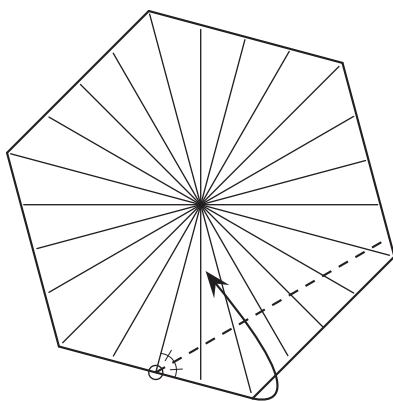
Swivel-fold. Repeat on the other sides.
旋转折，其他边重复

18



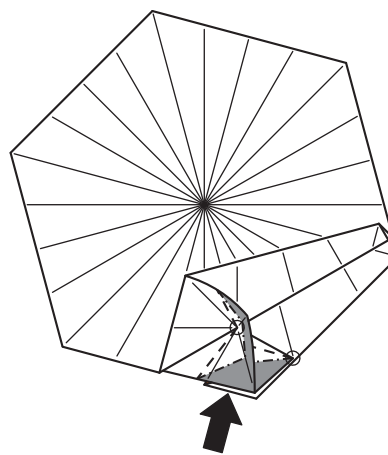
Turn over.
翻面

19



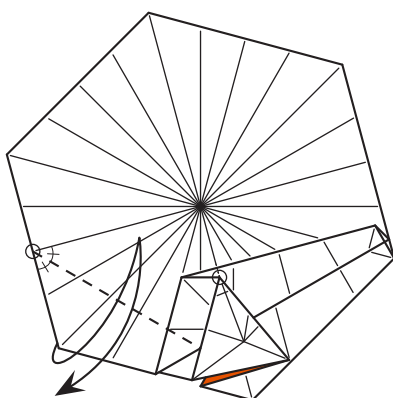
Valley-fold along the angle bisector.
沿角平分线折叠

20



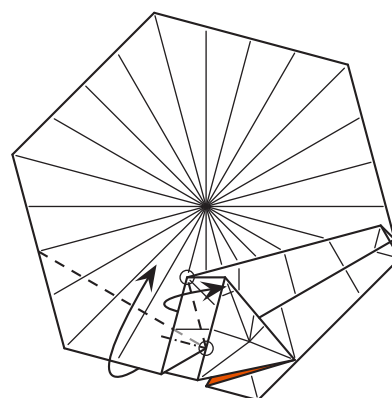
Spread sink.
延展沉折

21



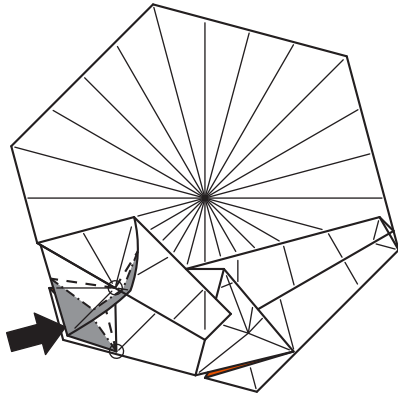
Fold along the angle bisector and unfold.
沿角平分线留下折痕

22



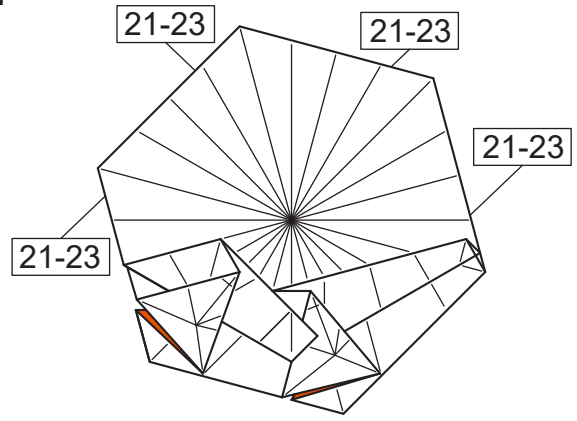
Swivel-fold.
旋转折

23



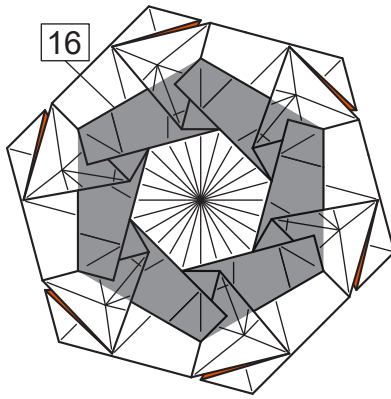
Spread sink.
延展沉折

24



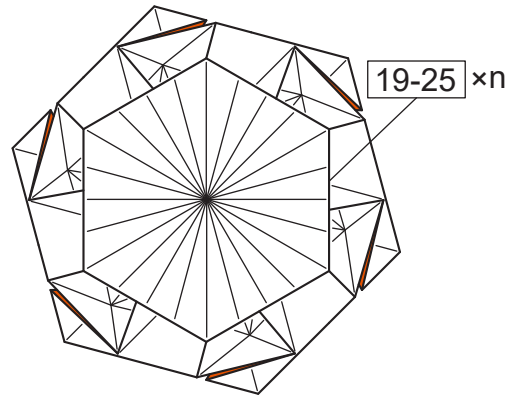
Repeat steps 21 to 23 on the other sides.
其它边重复步骤21-23

25



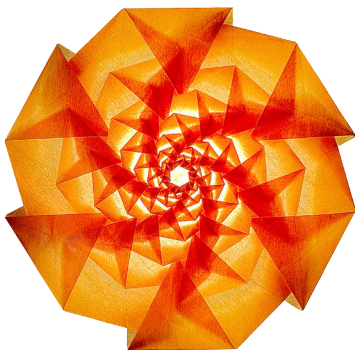
Tunk the shaded area inside.
Similar to step 16.
将阴影调整至内部，类似步骤16

26



Repeat steps 19 to 25 several times.
重复步骤19-25多次

27



Complete!
完成!